

PDC Micro Series

Discrete Power Distribution Cabinets



PDC Micro Series panels
measure just 9"H x 9"W x 5"D

Panel colors can be
customized

The PDC Micro Cabinet Series combines a main service disconnect and panel board that is suitable for service entrance applications, yet so compact and lightweight that it can be mounted discreetly on a utility pole. It is the perfect panel to distribute power to micro- or mini-cell sites, valves or switches, or other electrical services that require 60 amps or less of distributed power.

Compact Enclosure with Big Advantages

- Measures just 9" (H) x 9" (W) x 5" (D), saving valuable space
- Knock-outs and easy wiring access promote quick installation
- Recessed dead-front in cabinet protects personnel and equipment
- Main breaker disconnect protrudes through dead-front door for easy off and on
- Dead-front circuit breaker labels make it easy to identify and energize or de-energize enclosure's eight breakers
- Pad-lockable door prevents unauthorized access
- Available in custom, user-specified, powder paint colors to help PDC Micro Series blend into a wall, cabinet, or pole-mounted application

NEMA 3R Enclosure Security

- Rugged NEMA 3R-compliant enclosure for outdoor use
- Aluminum construction is lightweight and corrosion-resistant
- Weather-tight door seal provides ingress of environmental elements

Panel Board Flexibility

- Provides up to eight branch circuit breakers
- Load-side circuit breakers are Square D, QO Type
- Circuit breakers support 1 or 2 poles, 15-30 A

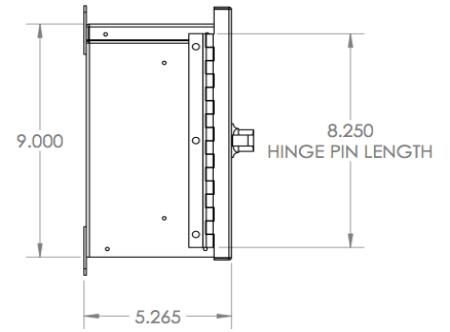
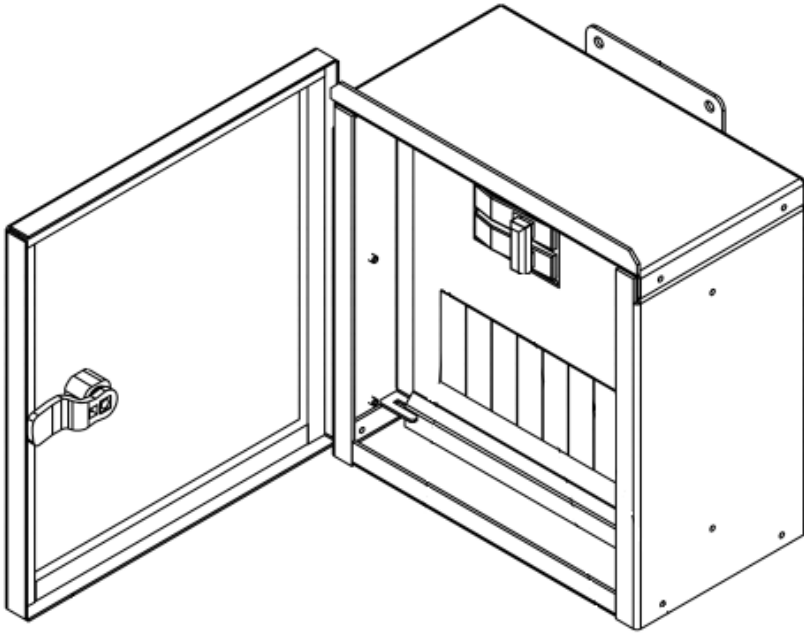
Main Disconnect Convenience

- Factory-wired to streamline installation
- Single-phase, 120/240 V, 3 W
- 60 A maximum, 10 kAIC

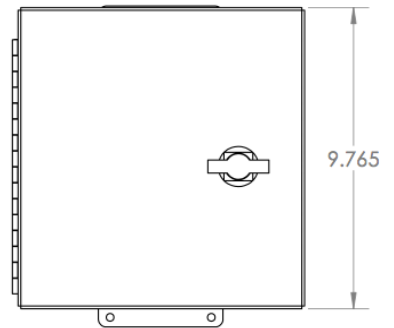
For more information contact Intersect at solutions@intersectinc.com.

Intersect™, Inc.

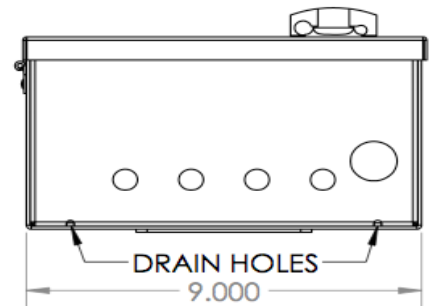
Quality products. Premium customer care. Integrated solutions.



Side view.



Front view.



Bottom view.

Product No	Description
PDC-12060-08	120/240 V; 60 A (max); 1Ø; NEMA 3R

General Data

Suitable for use as service entrance

Enclosures dimensions (H x W x D)

9"† x 9" x 5.265"

†10" H with mounting tabs, door front is 9.765"

Weight

Approximately 5.5 lbs

UL Certification

- UL 67 Panelboards
- File #E488098

Electrical Specifications

- 120/240 V
- Single phase
- 60 A maximum
- SCCR: 10,000A RMS

Enclosure

Rating

NEMA 3R

Composition

Aluminum

Powder coat paint

- UL Pantone (Cod Gray)
- Other Pantones May Be Requested

Door

- Single twist latch
- Pad-lockable

Panelboard

Type

- Square D, QO Series
- 1 or 2 poles, 15-30 A

Circuit breaker positions

8 circuits



Micro Series panel in use

Intersect, Inc.